

SONY

Hi-Fi Products
Service Bulletin

Sony Service Company - Technical Services
A Division of Sony Corporation of America
Sony Drive, Park Ridge, New Jersey 07656

Model: D-10

No. 59

Subject: Anti-Vibration and Anti-Rolling
Service Kit

Date: January 2, 1989

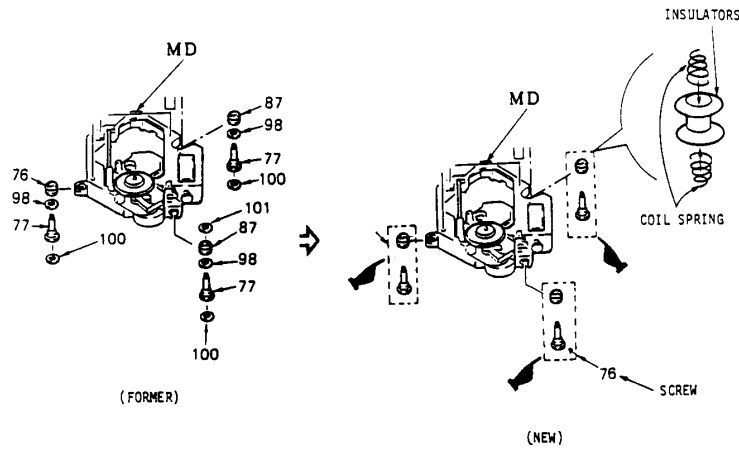
Symptom:
(82)

Anti-vibration and anti-rolling service kit is available.

Solution:

Description	Part Number
Insulator ALT Board Assembly	X-4917-751-1

1. Change of screw and insulators.

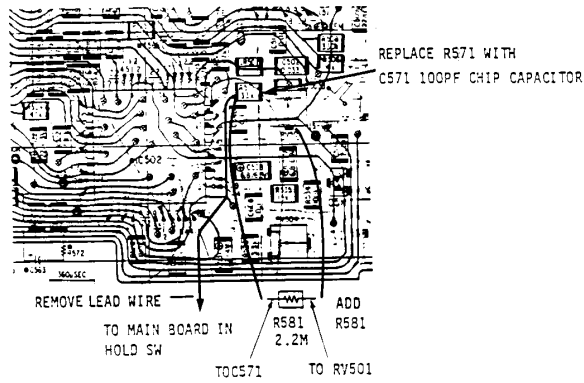
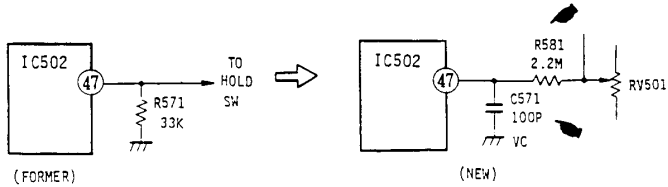


(Continued)

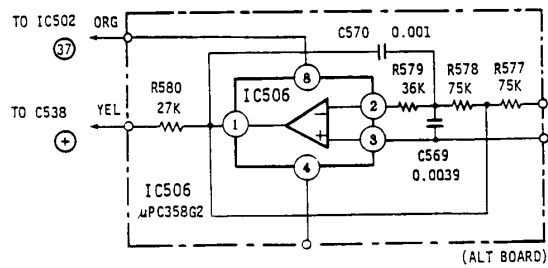
Reference: T/N DS088-0040

PRINTED IN U.S.A.
CSA-131288-9

2. Change of ATSC circuit.

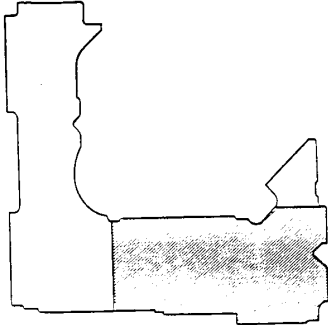


3. Replace R603 on the servo board with the ALT board.



(Continued)

(SERVO BOARD)



(ALT BOARD)

